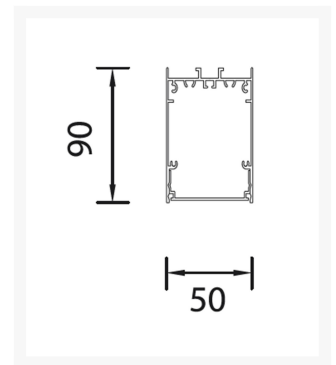


Linear 50 Black 53W 4000K Surface or Suspended 1688mm

Product Images



Short Description

A complete LED linear fitting for surface or suspending, down light only Fixed output 4727lm 4000K

Additional Information

Product Code	LIN50/1688/4K
Additional info	Custom sizes available please contact for details
Product length	1688mm
Product width	50mm
Product depth	90mm
Colour temperature	4000K
Luminous value	4727
Max wattage	53W
Voltage	240V